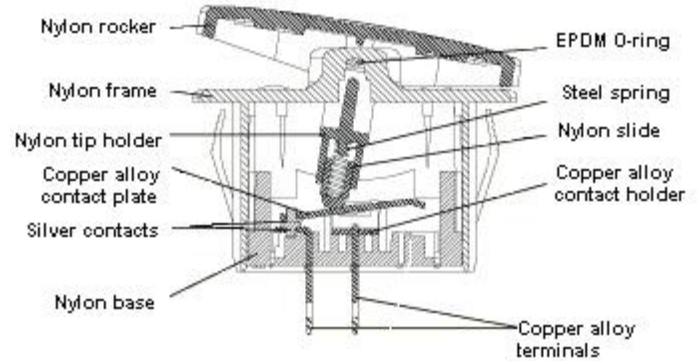


Waterproof Rocker Switch

KM Series



Features

- Enclosed switch complies to IP56
- Available in single or double pole
- Lighted and non-lighted versions
- Maintained and momentary switch functions
- Snap-in mounting
- Mechanical life: 100,000 cycles
- DC electrical life: 25,000 cycles

Electrical Ratings

| Switch Series | VDC | Rating | Electrical Life at Rated Load |
|---------------|-----------|------------------------|-------------------------------|
| | | | (Min. Operations) |
| KM | 21A 14VDC | 20A 125VAC; 10A 250VAC | 6,000 |

| Electrical Specifications | | Material Specifications | |
|------------------------------------|-------------------------------------|-------------------------|---|
| Ratings: | 20A 125VAC; 10A 250VAC 21A 14VDC | Actuator: | Soft Material Molded Polycarbonate Lens |
| Dielectric Strength: | 1500VAC for 1 minute | Housing: | Nylon 66 94V-2 |
| Insulation Resistance: | 100M Ω min at 500VDC | Bezel: | Nylon 66 with 33% Glass Fiber |
| Initial Contact Resistance: | 0.050 ohms max | Spring: | Steel |
| Temperature Range: | -25°C to + 85°C | Contacts: | Silver plated Copper Alloy |
| Waterproof Rating: | IP56 | Movable Arm: | Silver plated Copper Alloy |
| | | Terminals: | Silver plated Copper Alloy |

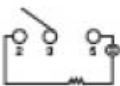
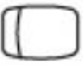


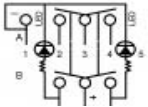

RoHS Compliant

Specifications subject to change without notice.

Waterproof Rocker Switch

KM Series

Examples of Common Part Numbers and Descriptions inches (mm)

| Part Number | Circuitry | Switch Function | Terminal Type | Actuator/ Housing Color | Legend Marking |
|-----------------|---|-----------------|------------------------------|-----------------------------------|---|
| KMD2AMB7BBBNR1 |  | On-Off | 0.250 (6.3) Quick-Connect | Black/Black (Red Lens) |  |
| KMD2CNB1BBNNNN |  | On-Off-On | 0.250 (6.3) Quick-Connect | Black/Black |  |
| KMD3CMB8BBBGRG2 |  | On-Off-On | 0.250 (6.3) Quick-Connect | Black/Black (Red & Green Lens) |  |

Contact

Call, fax or visit our
Website for more information.

ZF Electronics Corporation
11200 88th Avenue
Pleasant Prairie, WI 53158

Phone: 262.942.6500
Web: www.cherrycorp.com
Email: cep_sales@zf.com
Fax: 262.942.6566

The manufacturer accepts no
liability for errors or non-availability,
and reserves the right to change
specifications without prior notice.

Technical data relates to product
specifications only. Features may
differ from those described. Only
drawings combined with product
specifications shall be deemed
binding.

© 2007 ZF Electronics Corporation

Last Updated:072712

